

MULTIMEDIA COMMUNICATION

Laboratory Session: JPEG Standard

Fernando Pereira

The objective of this lab session about the JPEG (Joint Photographic Experts Group) standard is to get the students familiar with this image coding standard, jointly developed by ISO/IEC and ITU-T. For that purpose, the application “Audio and Video Communication Simulation System”¹ will be used which includes among others a JPEG baseline (DCT-based) codec.

The JPEG standard is a generic standard targeting several types of applications where photographic image coding (multilevel and color) is important. The JPEG standard includes lossy and lossless coding modes: the lossy modes are DCT-based, the lossless mode is based on a simple spatial predictor. While the lossless mode is not mandatory for all JPEG codecs, the sequential lossy mode is always present since it is part of the so-called *baseline process* which specifies the basic set of functionalities and tools mandatory in all JPEG compliant codecs.

This lab guide is organized in three parts corresponding to the three main modules in the image communication/storage system available:

- JPEG image encoder (see Figure 1)
- Transmission channel (with corruption of the coded bitstream)
- JPEG image decoder (see Figure 2)

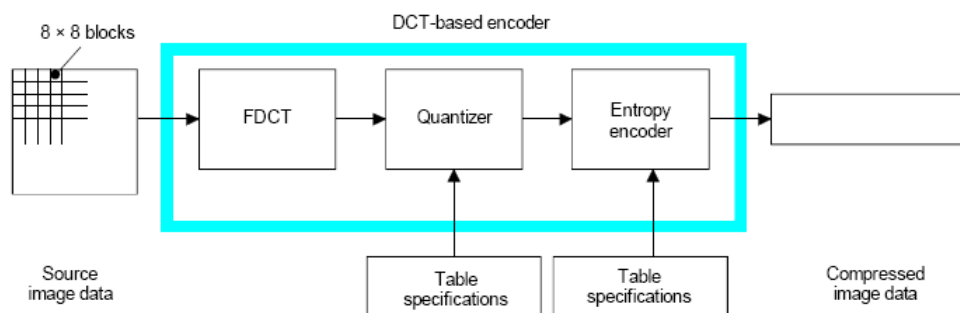


Figure 1 – DCT based JPEG encoder.

¹ The application “Audio and Video Communication Simulation System” has been developed by Pedro Fernandes in the context of his M.Sc. Thesis. I would like to express here my appreciation for his work considering the possibilities this application has opened for the lab sessions of the Multimedia Communication course.

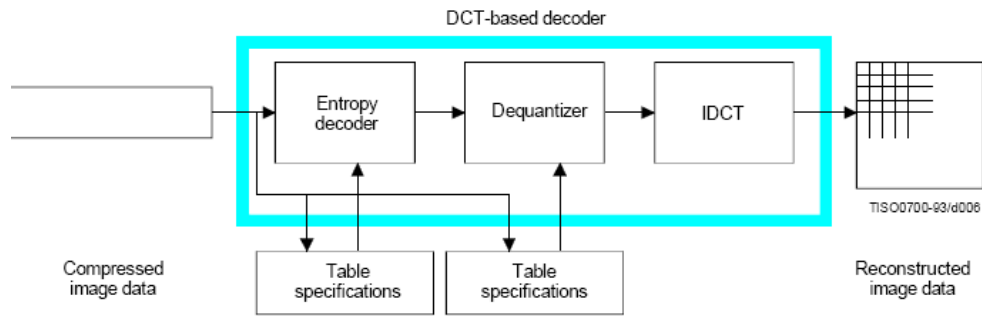


Figure 2– DCT based JPEG decoder.

1. JPEG ENCODER

This first module in the JPEG system simulates a JPEG encoder.

1.1 Select Image

This button allows selecting the image to code from the set of available images. The available images include pictures with people, landscapes, buildings, etc. thus with different characteristics, notably in terms of spatial variation/frequency.

After selection, the image will be shown on the screen; then, the user may select the size of the visualization window with the mouse.

1.2 Properties

This button allows determining the coding mode and parameters to encode the selected image. The image name and its spatial resolution are always indicated in the encoder module window. The following encoding processes and parameters may be controlled by the user:

- **DCT** – Allows selecting the DCT coefficients used to code each 8×8 samples block. While reducing the number of DCT coefficients to code allows reducing the number of bits spent, also the decoded image quality will be reduced. The available possibilities in terms of DCT coefficients selection are:
 1. No restrictions (all non-null DCT coefficients after quantization are coded);
 2. All DCT coefficients with zig-zag order higher than X are not coded (see Figure 3), thus simulating a low-pass filter;
 3. The first X non-null DCT coefficients in the zig-zag order are coded.

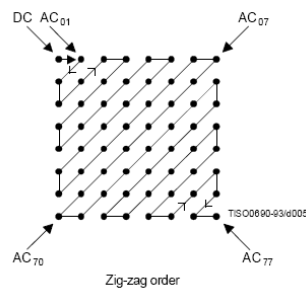


Figure 3 – Zig-zag scanning order.

- **Quantization** – Allows defining the *scale factor* corresponding to a multiplicative factor to be applied to some default quantization matrices (which still have to be transmitted) to finally define the quantization steps; a luminance quantization matrix example is shown in Figure 4. The higher the scale factor, the higher the quantization steps and thus the lower the quality since the higher the quantization error; for example, QS=200% and QS=50% mean that all quantization steps in Figure 4 are multiplied by 2 and 0.5, respectively.

16	11	10	16	24	40	51	61
12	12	14	19	26	58	60	55
14	13	16	24	40	57	69	56
14	17	22	29	51	87	80	62
18	22	37	56	68	109	103	77
24	35	55	64	81	104	113	92
49	64	78	87	103	121	120	101
72	92	95	98	112	100	103	99

Figure 4 – Luminance quantization matrix.

- **Synchronization markers** – Allows specifying the frequency of usage of the synchronization markers which are inserted in order the decoder may recover the decoding synchronism after transmission errors are detected. The synchronization markers are introduced before one or more so-called *Minimum Coded Units* (MCU); a MCU corresponds to the smallest image units including the interleaved image (coded) components for a certain image area, e.g., R, G and R. While for a 4:4:4 sub-sampling format – all components with the same spatial resolution – an MCU corresponds to a 8×8 block of each component, this means (*IR, IG, IB*), for a 4:2:0 sub-sampling format – chrominances with half the luminance resolution in both directions – an MCU corresponds to 4 luminance blocks for each block of each chrominance, this means (*4Y, IU, IV*).

In terms of the insertion of synchronization markers, the available options are:

1. No synchronization markers at all for the whole image, this means no error recovering capability at all.
2. One synchronization marker for each MCU.
3. One synchronization marker for each row of MCUs.

Naturally, the more synchronization markers are inserted, the higher is the error recovering capability and thus the final decoded quality, however at the cost at some additional bits since resynchronization markers cost bits.

- **Encoding mode** – Allows defining the coding mode to use, notably either the sequential (baseline process) or the (scalable) progressive modes. While the sequential mode codes the image in a single layer/scanning, the progressive mode codes the image in multiple layers/scannings with successively better quality (but the same spatial resolution). Regarding the progressive mod, there are two ways to successively improve the quality:
 1. **Increasing Precision** – For each layer, the DCT coefficients for each block are successively coded with higher precision, from the most to the least significant bits.

2. **Spectral Selection** - For each layer, the DCT coefficients for each block correspond to successively higher frequencies, meaning that the first layers code the lowest frequency coefficients and vice-versa.
3. **Combining Spectral Selection with Increasing Precision** - For each layer, more DCT coefficients are successively sent for each block or previous coefficients are sent with higher precision.

1.3 Code Sequence (button ►)

The ► button allows coding the selected image with the defined coding conditions and parameters. The user is asked to define the name of the file to store the JPEG bitstream; it is recommended to always accept the file names suggested by the application which consists on the image name with *jpg* as extension. When coding an image, the decoded image and some relevant charts will be also shown in the screen, see Figure 5.

1.4 Statistics

The application makes available the following metrics: compression factor, and SNR (Signal to Noise Ratio) and PSNR (Peak SNR), for the luminance and chrominances:

$$SNR = 10 \log_{10} \frac{\sum_{i=1}^M \sum_{j=1}^N x_{ij}^2}{\sum_{i=1}^M \sum_{j=1}^N (x_{ij} - y_{ij})^2} \quad (dB)$$

where x is the original sample value at position (i,j) and y is the corresponding decoded value. To obtain the PSNR (and not the SNR), the SNR must be computed using the peak value for the signal, this means 255 for samples with 8 bits:

$$PSNR = 10 \log_{10} 255^2 / \frac{1}{MN} \sum_{i=1}^M \sum_{j=1}^N (x_{ij} - y_{ij})^2 \quad (dB)$$

The PSNR is typically more used than the SNR as subjective experiments have shown the PSNR to be better correlated with human perceptual assessment which is the most important features of an image quality metric.

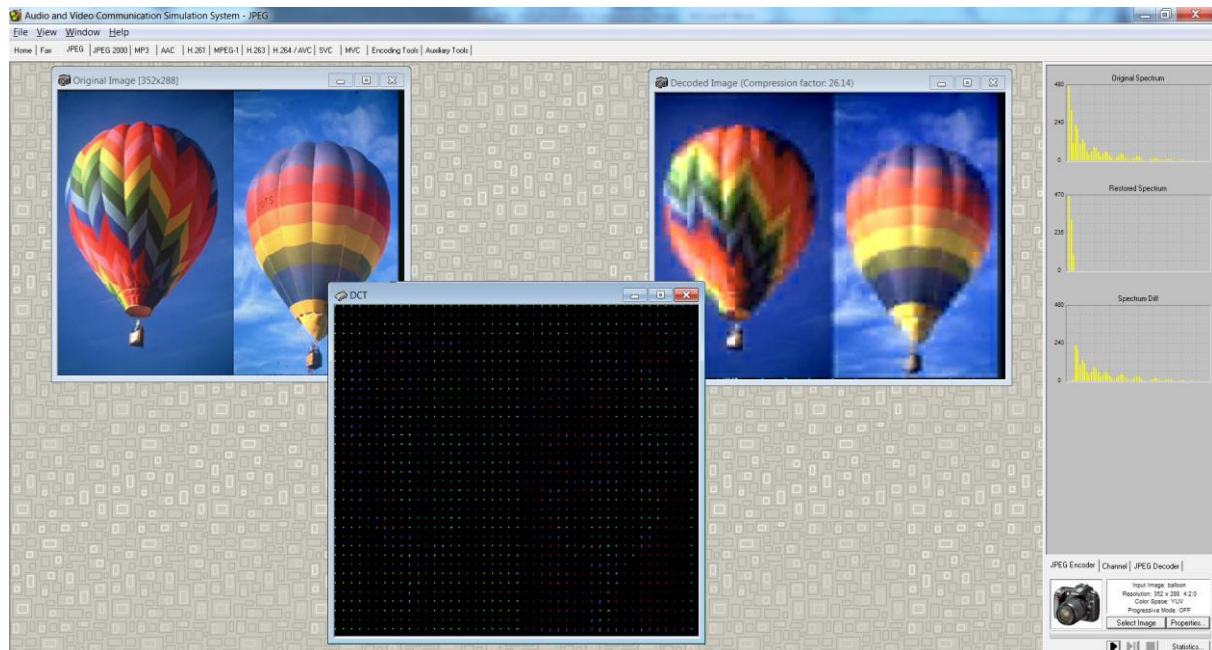


Figure 5 – Application interface showing the original and decoded images and the DCT coefficients.

2. TRANSMISSION CHANNEL

This module simulates the transmission of a coded bitstream through a non-ideal channel by inserting bit error corruption with two different error patterns: uniform and bursty.

2.1 Select Stream

This button allows selecting the file with the bitstream to be corrupted. As mentioned above, the application suggested file name indicates the name of the coded image while its extension indicates the coding method used.

2.2 Properties

This button allows defining the type of bit errors to be introduced in the selected bitstream. The selected input file/stream is always indicated in the dialogue window of the transmission channel module.

- **Uniform Errors** – For uniform bit errors, the user must insert the desired bit error probability corresponding to the probability that a bit is corrupted independently of all the others.
- **Burst Errors** – For bursty bit errors, the user must insert the following parameters to characterize the desired errors:
 - ◇ **Probability of Occurrence of the Start of an Error Burst** – Probability that an error burst starts at a certain bit.
 - ◇ **Minimum Length of an Error Burst** – Minimum length of the bit sequence affected by a burst of errors.
 - ◇ **Maximum Length of an Error Burst** - Maximum length of the bit sequence affected by a burst of errors.

The application computes and shows the bit error probability for the bursts understood as the fraction of bits corrupted (see note below).

- **Type of Errors in the Corrupted Bitstream:**
 - ◇ **Uniform Errors** – The user must indicate in the corresponding check box if uniform errors must be inserted in the next bitstream ‘transmission’.
 - ◇ **Error Bursts** - The user must indicate in the corresponding check box if bursty errors must be inserted in the next bitstream ‘transmission’
 - ◇ **Skip** – This parameter allows skipping a certain number of initial resynchronization markers in the corruption process; this possibility allows visualizing in the same decoded and concealed image, parts which have been corrupted and not corrupted.

2.3 Transmit Bits

This button implements error corruption of the selected bitstream with the selected channel characteristics. For this, the user has to define the name of the file where the corrupted bitstream is to be stored. The application always suggests giving the corrupted (output) bitstream file the same name as the non-corrupted (input) bitstream file with the addition of a letter in the file extension signaling the type of errors introduced: i) ‘b’ for burst errors; ii) ‘u’ for uniform errors; and iii) ‘a’ for both burst and uniform errors.

2.4 Statistics

After the transmission with error corruption, the *Statistics* button allows to obtain much statistical data about that process, notably:

1. Number of uniform errors introduced in the bitstream.
2. Bit error probability corresponding to the uniform errors (burst errors are excluded).
3. Number of error bursts introduced in the bitstream.
4. Average length of the error bursts introduced in the bitstream.
5. Number of error bits introduced with the error bursts.
6. Bit error probability corresponding to the error bursts (in relation to the total number of bits)

3. JPEG DECODER

This module simulates the decoding process of an image coded with the JPEG standard. The application receives as input a file with the JPEG bitstream and generates the corresponding decoded image.

3.1 Select Stream

This button allows selecting the file with the JPEG bitstream to decode, corrupted or not. While the name of the files indicates the name of the image coded, its extension indicates the coding standard used and the type of error corruption inserted.

3.2 Properties

This button allows specifying the decoding and post-processing conditions to use. The selected bitstream is always shown in the decoder module window.

- **Smoothing filter** – Allows controlling the usage of a low-pass filter applied to the full decoded image to reduce the block effect typical of block-based coding. The filter bandwidth is controlled using a slide bar where *smoothing less* corresponds to a larger band filter and vice-versa.
- **Display mode** – Allows controlling the visualization sequence for the decoded image:
 - a. The decoded image is visualized along the decoding process;
 - b. The decoded image is visualized all at the same time after the end of the decoding process.

3.3 Decode Stream (button ►)

This button actions the decoding process for the selected JPEG bitstream. During the decoding process, the decoded image and some error messages may appear in the screen.

For better visualization, it is possible to use the button ►|| to decode frame by frame and the button ■ to stop decoding.

3.4 Statistics

The application indicates the number of errors detected along the decoding process.

Multimedia Communication Laboratories

Laboratory Session: JPEG Standard

Date _____ Day of the week _____

N° _____ Name _____

N° _____ Name _____

Try addressing the following questions in a speedy way but while always fully understanding what you are doing; if you don't understand, ask for help. The most important is to learn ...

Whenever configuration details are not provided, use the default parameters available. For each case, analyze the statistics available by pressing the *Statistics* buttons.

1. **Compression Factor for Various Images:** Code the images indicated in the table below with the default parameters and register the compression factor (CF) and the PSNR for the luminance (Y) and chrominances (C_R and C_B). **Comment on** the compression factors and subjective image quality achieved for the various images considering their content, e.g. do images with the same CF have the same subjective quality ? If not, why ?

Do your personal subjective assessments always coincide with the PSNR indications ? Is the PSNR a very reliable image quality metric (e.g. compare the subjective quality of images with similar PSNR) ? Why ?

	CF	PSNR Y	PSNR C_R	PSNR C_B
BALLOON				
BARBARA1				
BARBARA2				
BOARD				
BOATS				
HILL				
HOTEL				

6. **Low Pass Post-Processing Filtering:** Code the images BALLOON and BARBARA1 with $QS = 500\%$ and decode them varying the bandwidth of the low pass post-processing filter. **Comment on** the variation of the decoded images subjective image quality depending on the used low pass bandwidth. What is a main limitation of this filter (see its description in the body of this document) ?

7. **Decoding after Corruption with Uniform Errors:** Code the image BALLOON with the default coding parameters, varying the insertion periodicity of the synchronization markers. Simulate the transmission of the bitstreams through a channel with only uniform errors corruption, with different bit error probabilities, e.g., $P_b = 0.0001$. Decode the corrupted bitstreams and **comment on** the subjective image quality of the decoded images as a function of the number of resynchronization markers. Repeat the error insertion process if the decoder goes in ‘error’.

8. **Decoding after Corruption with Burst Errors:** Repeat the previous question, now for burst errors, e.g., $P_B = 0.0001$, $L_{min} = 10$ and $L_{max} = 50$. Decode the corrupted bitstreams and **comment on** the subjective impact of the errors on the decoded images, comparing the uniform and burst error cases; to be fair, try to include the same total number of erred bits for each case (use the *Statistics* button in the Transmission Channel module). Repeat the error insertion process if the decoder goes in ‘error’.

Comment on the influence on the subjective quality of the insertion periodicity of the synchronization markers when the transmission channel is not perfect.
